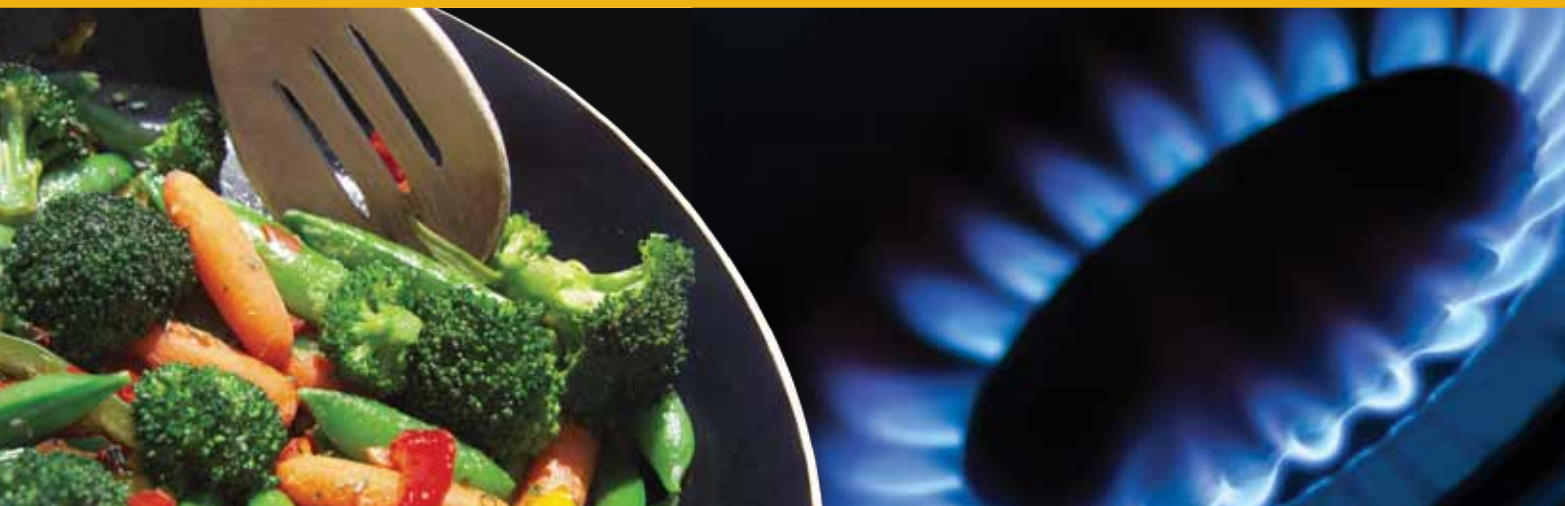


Braemar[®]
Tudor Romeo

Appliances for Life



Chef or novice, Tudor Romeo by Braemar has
the Cooktop to suit you.

Gas Cooktops

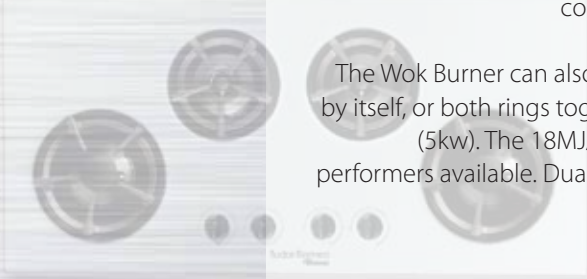


100% Australian

The Tudor Romeo range is proudly Australian made by Braemar, a name synonymous with excellence in gas appliances since 1938. Tudor Romeo cooktops are built to last with cast iron trivets and quality blackened brass burners that set a new standard in cooking control.

Unmatched control

Tudor Romeo cooktops feature multi-control Super Simmer burners where the inner ring of the burner can be operated independently of the outer. This enables a much lower simmer setting than is available on most other cooktops – a remarkable 0.45 to 5.9 MJ/hr gas range.




The Wok Burner can also be operated in a similar way, using the inner ring by itself, or both rings together to give a maximum power input of 18MJ/hr (5kw). The 18MJ/hr wok burner makes it one of the most powerful performers available. Dual burner controls effectively double the number of burner options available.

Layout designs for discerning chefs

Tudor Romeo cooktops have a versatile burner layout to suit any kitchen design or user preference. Cooktops can be ordered with the wok on the left, on the right, on both the left and the right, or two large burners, instead.

A finish to suit any kitchen



Tudor Romeo offer cooktops finished in the very popular 404 grade stainless steel, and in toughened glass. The glass is available in white or black and will maintain its easy to clean high gloss surface for the life of the cooktop. The glass is tough and adds colour to kitchens where stainless steel is not suitable.

Tudor Romeo by Braemar range is renowned for its superior product quality and innovation in design.

Gas Burners

Dual Control Wok Burner

- Blackened brass
- Two efficient rings of flame
- Inner burner can be operated independently of the outer burner
- **1.1 to 18.0 MJ/hr gas rate range**
- Great for wok cooking

Dual Control Super Simmer

- Blackened brass
- Two rings of flame for quick boiling or standard simmering
- Inner burner can be operated independently for an extra low simmer
- **0.45 to 5.9 MJ/hr gas rate range**
- Great for simmering sauces, gravy, milk, small dishes or everyday cooking

Gas Cooktops

600 Gas Cooktop

- One Wok Burner, one Large Burner and two Super Simmer Burners
- Blackened solid brass burners
- Cast iron trivets (nonslip, removable for easy cleaning)
- Natural or L.P. Gas

TD112 Stainless Steel Hob - TD113 Black Glass Hob
TD115 White Glass Hob

900 Gas Cooktop (With Twin Woks)

- Twin Wok Burners and two Super Simmer Burners
- Front mounted controls
- Automatic electronic ignition
- Blackened solid brass burners
- Cast iron trivets (nonslip, removable for easy cleaning)
- Natural or L.P. Gas

TD100 Stainless Steel Hob - TD101 Black Glass Hob
TD103 White Glass Hob



TD112



TD100

Gas Cooktops

900 Gas Cooktop (Wok on Left Hand Side)



TD105

- One Wok Burner, two Super Simmers and one Large Burner
- Forward mounted controls
- Automatic electronic ignition
- Blackened solid brass burners
- Cast iron trivets (nonslip, removable for easy cleaning)
- Natural or L.P Gas

TD104 Stainless Steel Hob - TD105 Black Glass Hob
TD107 White Glass Hob

900 Gas Cooktop (No Wok)



TD116

- Two Super Simmers and two Large Burners
- Front mounted controls
- Automatic electronic ignition
- Blackened solid brass burners
- Cast iron trivets (nonslip, removable for easy cleaning)
- Natural or L.P. Gas

TD116 Stainless Steel Hob - TD117 Black Glass Hob
TD119 White Glass Hob

900 Gas Cooktop (Wok on Right Hand Side)



TD111

- One Wok Burner, two Super Simmers and one Large Burner
- Front mounted controls
- Automatic electronic ignition
- Blackened solid brass burners
- Cast iron trivets (nonslip, removable for easy cleaning)
- Natural or L.P. Gas

TD108 Stainless Steel Hob - TD109 Black Glass Hob
TD111 White Glass Hob

Specifications



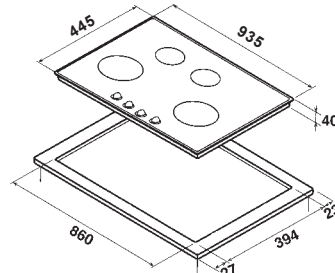
Gas Cooktops

Characteristics

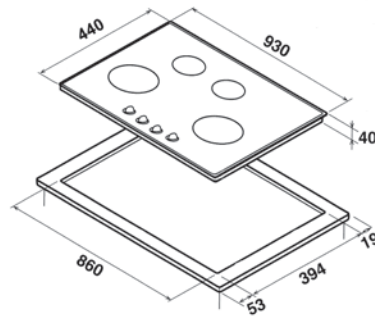
	TD116 - TD117 - TD119	TD112 - TD113 - TD115	TD108 - TD109 - TD111	TD104 - TD105 - TD107	TD100 - TD101 - TD103
Super Simmer Burner(s)	2	2	2	2	2
Wok Burner(s)	2	1	1	1	—
Dual Wok Burner(Left/Right)	L/R	L	R	L	—
Large Burner(s)	—	1	1	1	2
Stainless Steel Satin Finish Hob	✓	✓	✓	✓	✓
Black Glass Hob	✓	✓	✓	✓	✓
White Glass Hob	✓	✓	✓	✓	✓
Electronic Ignition	✓	✓	✓	✓	✓
Blackened Solid Brass Burners	✓	✓	✓	✓	✓
Cast Iron Trivets	✓	✓	✓	✓	✓
Natural or LP Gas available	✓	✓	✓	✓	✓

Cutout dimensions

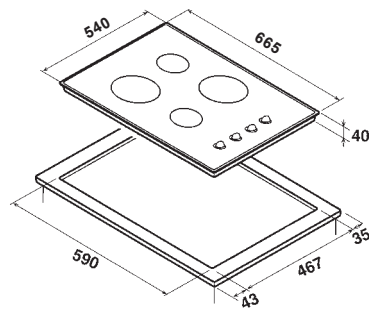
Width mm	860	860	860	590	860
Depth mm	394	394	394	467	394



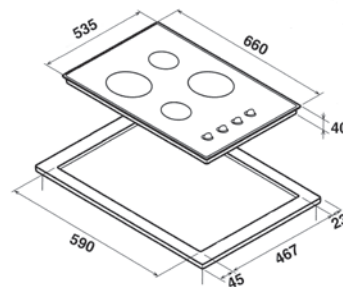
Stainless Steel 900 Model



Glass Top 900 Model



Stainless Steel 600 Model



Glass Top 600 Model

Braemar
Tudor Romeo

SEELEY INTERNATIONAL

Seeley International is Australia's largest air conditioning and ducted gas heating manufacturer and a global leader in developing ingenious, energy-efficient cooling and heating products.

Our vision is to lead the world in creating climate control solutions which continue to be highly innovative, of premium quality and inspirational in their delivery of energy-efficiency.

But it's more than just a vision... it's a way of life!

A commitment to innovation and excellence is at the heart of all that we do. Our success in delivering on that commitment has been recognised by our many awards and our expanding global presence. Seeley International now exports to well over 100 countries. Not bad for a company that started out in 1972 in the garage of its founder and Chairman, Frank Seeley AM FAICD, who was named South Australian of the Year for 2011!



Quality is paramount in cooking appliances, and Braemar has placed a reassuring 2 year warranty on all of our cooktops. Refer to the warranty card for details.

Braemar[®]
Tudor Romeo

Sales 1300 150 141
tudorappliances.com

Meridian Maestro Pty Ltd

ABN 51 008 141 277

112 O'Sullivan Beach Road
Lonsdale, South Australia 5160

Phone (08) 8328 3850

Fax (08) 8328 3951

Email marketing@seeleyinternational.com

Web seeleyinternational.com

Information in this brochure was correct at the time of preparation.

Seeley International Pty Ltd has a policy of continuous product development and therefore reserves the right to make changes to these specifications without notice. Whilst every care has been taken to assure accuracy of the data compiled in this brochure, Seeley International does not assume any liability for errors and/or omissions. Photos are for illustration purposes only and unit colour may vary slightly from that depicted in this brochure. Installation and commissioning of these systems to manufacturer's specifications - compliance with industry standards and state regulatory codes are the responsibility of the installer.

E & OE. Cat No. TR020 REV A (0912)